

## IP EYE-SIGHT SERIES

The new Eye-Sight series serves security professionals seeking a professional line featuring outstanding image quality, full connectivity, and enhanced video analytics functions based on **Artificial Intelligence**.



# DMA-320IPE-28

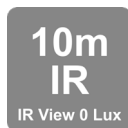
## 10M IR 2MP FIXED LENS MINI TURRET DOME ANTI VANDAL CAMERA

The DMA-320IPE-28 camera is equipped with a 2.8mm fixed lens and a protective dome. With its 11cm diameter, this 2MP mini-dome camera is designed for short-distance surveillance (up to 10m) in indoor scenarios. The vandal-proof IK10 protection makes it extremely hard to sabotage. The camera offers broad possibilities for Analytics, from Face Detection to the outstanding DDA Analytics (Detect, Distinguish, Alert), which can perform object recognition and object counting. With various detection rules and triggers, the DMA-320IPE-28 camera will help end false alarms.



**IK 10**  
VANDAL  
PROOF

**DDA**  
VIDEO ANALYTICS



### MAIN FEATURES

- 2MP
- EYE-SIGHT
- 1920x1080 Resolution
- Wide field of view 108°
- 3D-DNR
- IK10
- Mini Dome
- DDA Analytics
- Audio in + Built-in microphone

### ANALYTICS

- General Analytics: Camera Tampering
- AI (Object Recognition): Humans, 2/4 wheel vehicles  
DDA Sterile Area  
DDA Line Crossing  
DDA Object Counting
- AI (Face Detection): 10 Faces per frame



## SPECIFICATIONS

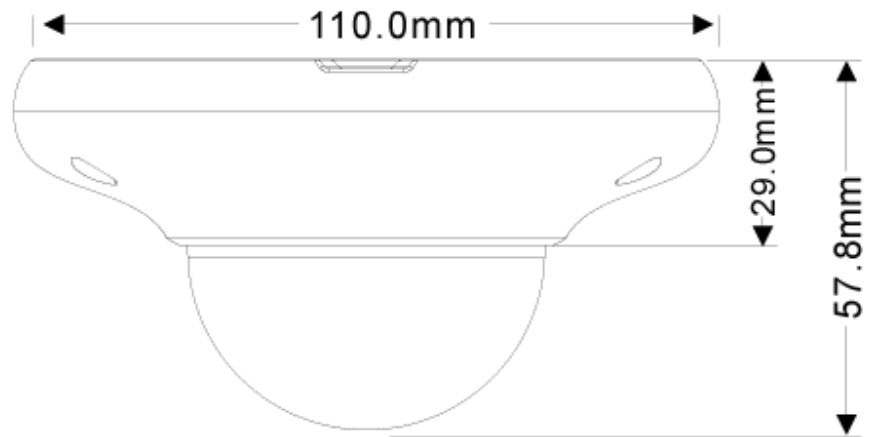
Image Sensor	1/2.8" CMOS (16:9)
Effective Pixels	1920x1080
Electronic Shutter	1/25s ~ 1/100000s
Frame Rate	1-25/30FPS
Day & Night	ICR
Min. Illumination	Day: 0.1lux / Night: 0.005lux (@F1.6, AGC on) 0lux with IR on
Audio compression	G.711A/G.711U
Communication	One-way Audio
Image Settings	AWB, AGC Adjustable, Exposure Mode (Auto) Sharpness, Saturation, Brightness & Contrast Adjustable
Image Enhancement	True WDR (120dB), BLC, HLC, ROI
Noise Reduction	3D-DNR
Image Orientation	Mirror/Flip
Privacy Zone	Yes
Motion Detection	Yes
Analytics	General Analytics: Camera Tampering AI (Object Recognition): DDA Sterile Area, DDA Line Crossing, DDA Object Counting AI (Face Detection): 10 Faces per frame
Video Compression	H.265S/H.264S*, H.265+/H.264+/H.265/H.264/MJPEG
Resolution	2MP / 1MP / D1 (704x576) / QVGA (480x240) / CIF (352x288)
Multi-Stream	Master Stream: 2MP (1920x1080) / 1MP (1280x720) (1~30fps) Substream: 1MP/QVGA/D1/CIF Third Stream: QVGA/D1/CIF (1~30fps)
Bit rate	64Kbps ~ 4Mbps@H.265 / 64Kbps ~ 6Mbps@H.264
Encode Mode	VBR/CBR
Image Quality	Five levels under VBR; Free adjustment under CBR
IR Distance	10m (2 High-Power IR LED)
Lens (Field of View)	2.8mm (108°)

\*Main Stream only

## SPECIFICATIONS

Iris	Fixed Iris
Lens Mount	M12 mount
Protection Rate	Vandal Proof: IK10
Bracket	3-Axis Gimbal
Dimensions	Φ110mm×57.8mm
Weight (gross)	350g
Network	RJ45 (+PoE)
Power	DC Socket
Analog Video Output	No
Audio Connectivity	Built-in Microphone + Audio Input
SD Card	Event/Schedule based Main/Substream recording (Up to 128Gb)
Hard Reset Button	No
Alarm	No
Remote Monitoring	IE Browsing, VMS Software, Provision Cam2 Mobile App
User Access	Supports simultaneous monitoring of up to 4 users with multi-stream real-time transmission
Network Protocol	IPv4, IPv6, TCP, UDP, DHCP, NTP, DDNS, 802.1X, RTSP, Multicast, UPnP, Email, FTP, HTTPS, QoS, P2P
ONVIF	Yes
Ethernet	100Mbps
PoE	Yes
Power Supply	DC12V/~340mA / PoE/~4.7W
Work Environment	-30°C~50°C, 10%~90% Humidity
Junction Box	PR-WB-A - PR-B10BJB

## DIMENSIONS



## ACCESSORIES



PR-B10BJB



PR-WB-A